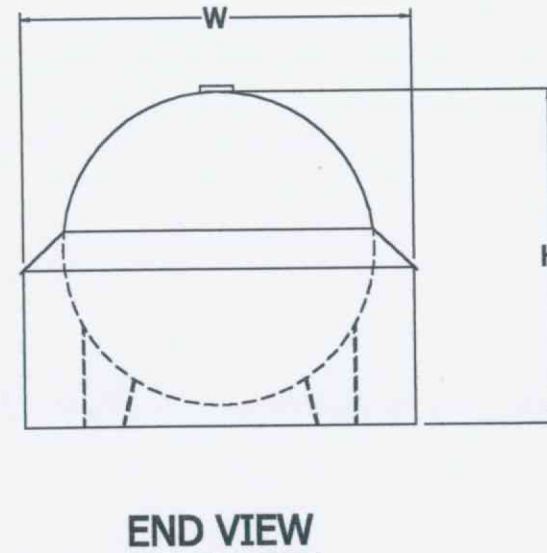
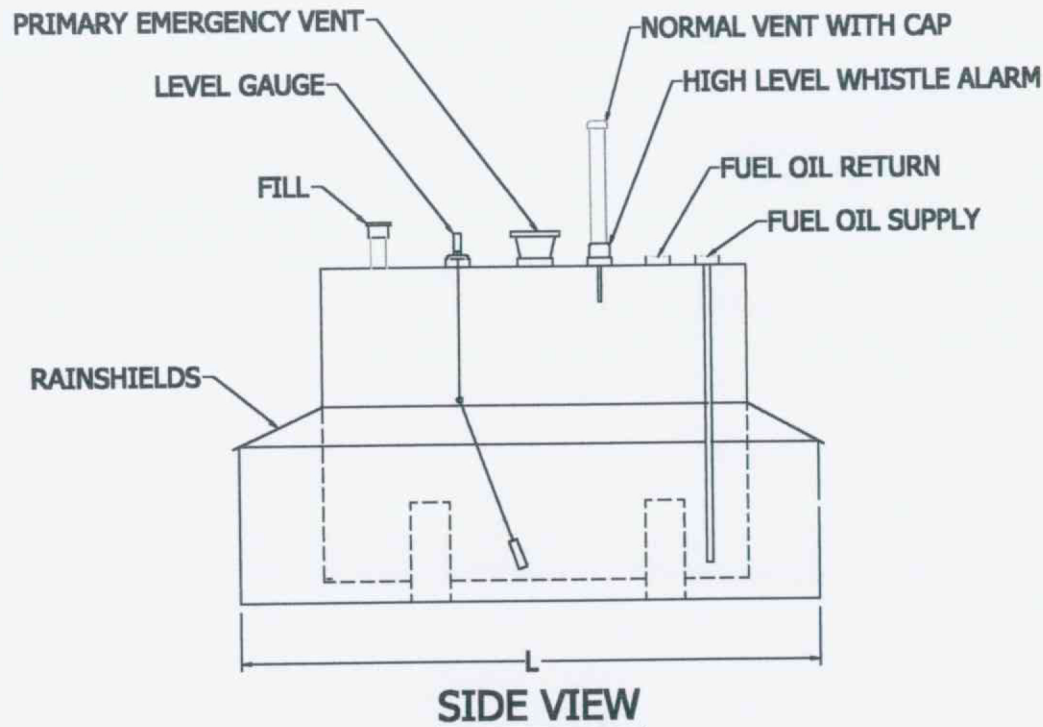


500 GAL. RENTAL DIKE TANK - TYPICAL LAYOUT



GENERAL SPECIFICATIONS	
CONSTRUCTION STANDARD:	UL 142
CONSTRUCTION MATERIAL:	CARBON STEEL
EXTERIOR FINISH:	GRAY INDUSTRIAL ENAMEL
RECOMMENDED INSTALLATION STANDARDS:	
	NFPA 30, NFPA 30A, NFPA 31

DIMENSIONS						
MODEL	GALS.	L	W	H	DRY WT.	
MIL500	500	7'6"	5'0"	4'8"	1,000 LBS	

NOTES: DIMENSIONS AND SPECIFICATIONS ARE GENERAL AND/OR NOMINAL. CONSULT FACTORY FOR VERIFICATION OF CRITICAL TOLERANCES. DUE TO INVENTORY, PRODUCT UPGRADE AND ADDITIONS, ACTUAL RENTAL UNIT MAY VARY FROM SYSTEM SHOWN.

TESCO RESOURCES, INC.

TEL: (800) 33-TESCO (338-3726)

MODEL	TR5HC
GALS.	500 GALLONS
TYPE	DIKE TANK WITH RAINSHIELDS
DRY WT.	1,000 LBS.

SCALE:	CHECKED:	DRAWN BY:	DATE:	APPD BY:	DWG #:
NONE					TR5HC