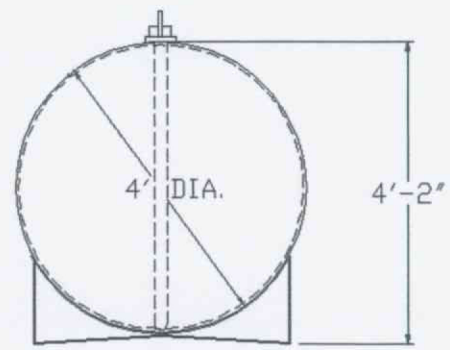


SIDE VIEW



END VIEW

SPECIFICATIONS	COATING: EXTERIOR- RED OXIDE PRIMER
	INTERIOR- NONE
CAPACITY IN GALLONS: 500 GALLONS	SURFACE PREP: TOUCH UP
NUMBER REQUIRED:	OPENINGS: SEE SKETCH
MATERIAL: A569	(3) 2" NPT FITTINGS
THICKNESS OR GAUGE:	(1) 3" NPT FITTING
INNER TANK: HEAD- 12 GA	(1) 4" NPT FITTING
SHELL- 12 GA	
OUTER TANK: HEAD- 10 GA.	OTHER ACCESSORIES:
SHELL- 12 GA.	(1) 2" MONITORING PIPE
LABELING: UL 142 ABOVEGROUND	(1) 3" NPT FITTING (SECONDARY EMERGENCY VENT)

TESCO RESOURCES, INC					
MODEL #: TR5HD					
NOTES: 500 GALLON DOUBLE WALL - UL 142					
PREPARED FOR:					
SCALE:	CHECKED:	DRAWN BY:	DATE:	APPD BY:	DWG #:
NONE					TR5HD